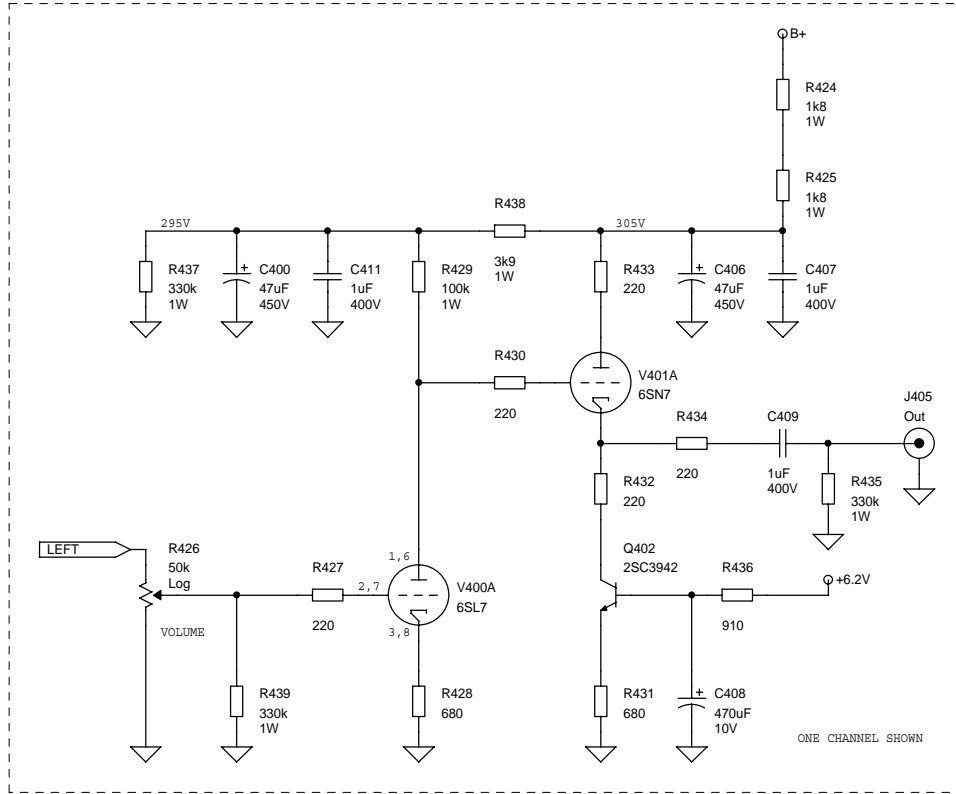
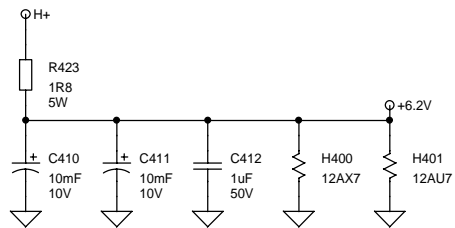


This document contains proprietary information and except with written permission of Hagerman Technology LLC such information shall not be published, or disclosed to others, or used for any purpose, and the document shall not be copied in whole or in part. Copyright Hagerman Technology LLC 2005. All rights reserved.



Socket	PCB
1	2
2	1
3	3
4	7
5	6
6	8
7	5
8	9

ONE CHANNEL SHOWN



<b>Hagerman Technology LLC</b>		
P.O. Box 26437 Honolulu, HI 96825		
Title		
<b>Constructor: Chime Amplifier</b>		
Size	Document Number	Rev
	n/a	C
Date:	Friday, July 28, 2006	Sheet 0 of 2